



## ENGINE

Make	FPT
Model	F4HFE613W
Emissions Certification	Tier 4 Final
Emissions Technology	SCR/DOC
Type	4-stroke, turbocharged and air-to-air cooled
Cylinders	6-cylinder in-line
Bore/Stroke	4.09 x 5.20 in (104 x 132 mm)
Displacement	411 in <sup>3</sup> (6.7 L)
Fuel	#2 Diesel, #1 and #2 mixture permitted for cold temperatures
Fuel injection	Direct injection – electronic
Fuel filter	Replaceable
Fuel pump	Bosch
Gradeability:	
Side-to-side	35°
Fore and aft	35°
Air filter	Dry type elements w/ warning restriction indicator
Mid-mount cooling module w/ auto reversing fan:	Mid-mount Air/Water w/ Lube Oil Cooler
Fan – hydraulic driven:	
Style	8 blade puller
Diameter	32 in (813 mm)
Water pump	Integral
Engine oil pump operating angle ratings:	
Side-to-side	35°
Fore and aft	35°
Oil filtration	Replaceable
Engine speeds	RPM
Rated – full load	2000
Horsepower – Maximum Power:	
Peak gross @ 1800 RPM	172 hp (128 kW)
Net rated @ 2000 RPM	151 hp (113 kW)
Peak net @ 1800 RPM	162 hp (121 kW)
Torque – Maximum Power:	
Gross @ 1600 RPM	538 lb-ft (730 N-m)
Net @ 1600 RPM	510 lb-ft (692 N-m)
Net torque rise:	
Maximum power range	29%

NOTE: Gross horsepower and torque per SAE J1995.  
Net horsepower and torque per SAE J1349.

## DRIVETRAIN

Transmission:	4F/3R Proportional w/ Electronic Control Module torque sensing autoshift/manual shift and modulation	
Gears	Helical cut	
Gear ratios – 4-speed	Forward/Reverse	
1st	4.012/3.804	
2nd	2.174/2.061	
3rd	1.088/1.031	
4th	0.619/ –	
Gear ratios – 5-speed	Forward/Reverse	
1st	4.320/4.097	
2nd	2.191/2.078	
3rd	1.418/0.895	
4th	0.944/ –	
5th	0.611/ –	
Torque converter:		
Stall ratio – 4-speed	2.664:1	
Stall ratio – 5-speed	2.376:1	
Differential:	Limited slip w/ 34% of available axle torque to wheel w/ traction	
Rear axle oscillation	24° total	
Front and rear axles:		
Differential ratio	3.18	
Planetary ratio	6.40	
Final axle ratio	20.34	
Heavy-duty axles – optional:		
Front axle equipped w/ locking differential		
Rear axle equipped w/ open differential		
Planetaries	Outboard	
Service brakes:	Hydraulically actuated, maintenance-free, multiple wet disc w/ accumulator to all four wheels	
Brake surface area:		
Front hub – each	480 in <sup>2</sup> (0.31 m <sup>2</sup> )	
Rear hub – each	480 in <sup>2</sup> (0.31 m <sup>2</sup> )	
Parking brakes:	Spring-applied hydraulic release disc on transmission output shaft neutralizes power flow to wheels when engaged	
Travel speeds – 4-speed transmission:	Forward	Reverse
	mph (kph)	mph (kph)
1st	4.3 (6.9)	4.5 (7.3)
2nd	8.4 (13.5)	8.8 (14.2)
3rd	14.9 (23.9)	15.6 (25.0)
4th	24.0 (38.6)	–
Travel speeds – 5-speed transmission:	Forward	Reverse
	mph (kph)	mph (kph)
1st	4.0 (6.5)	4.3 (6.9)
2nd	8.3 (13.3)	8.7 (14.0)
3rd	12.7 (20.5)	20.1 (32.4)
4th	19.1 (30.7)	–
5th	28.0 (45.0)	–

NOTE: Travel speeds at full engine throttle w/ 20.5-R25 (L3 Radial) tires.

## ELECTRICAL

Voltage	24 Volts, negative ground
Alternator	120 amp
Batteries (2)	12-volt

## OPERATOR ENVIRONMENT

ROPS cab AC w/ heat; 8" LCD touchscreen display, adjustable armrest w/ 3 configurable buttons; Key start; Articulated power steering w/ headrest; Foot throttle; Single lever (joystick) loader control w/ auxiliary function and fully adjustable wrist rest, 2 cup holders; Interior rear view mirror; 3 inch (76 mm) retractable seat belt; Integrated 4-corner strobe; Multiple storage trays; Single brake pedal; F/N/R shuttle switch; Left and Right external side mirrors; Pressurized air filtering; Anti-glare window strip; Front and Rear Defroster; Side window, partial/fully open; 2 Dome lights; Wipers, rear and intermittent front; Windshield washers, front and rear; Rubber floor mat; Horn; Radio ready – Includes antenna, speakers, wiring, radio fuse, 20A converter, 12-volt auxiliary power outlet, and USB outlet.

### Displays/Gauges:

#### Digital:

Transmission oil temperature; Engine coolant temperature; Fuel level; DEF level.

#### LCD screen:

Hour meter; Engine speed; Travel speed; Time; Automatic transmission indication; Current gear selection; FNR indication; DeClutch indication; Engine mode indication; Trip computer A/B; Fuel consumption; Multiple languages, Metric/English; Engine diagnostics; Transmission diagnostics; Warning prompts; Error reporting; Diff. lock\*; DEF gauge.

### Audible/Visual alarms:

#### Warning lights:

Four-way flashers and turn signals; Brake pressure; Lamp/high beam indication; Engine block heater.

#### Caution warnings:

Parking brake; Coolant temperature; Hydraulic oil temperature; Transmission oil temperature; Air filter; Transmission filter; Hydraulic filter; Alternator; Low fuel.

#### Critical warnings:

Engine oil pressure; Brake pressure; Steering pressure – w/ aux. steering\*; Coolant temperature; Hydraulic oil temperature; Transmission oil temperature.

#### Backup alarm

#### Maintenance reminders:

Cab air filter; Engine oil filter; Fuel pre-filter; DEF tank vent filter; SCR supply filter; Hydraulic oil and filter; Engine air filter; Engine coolant; Drive belt; Cab recirculation filter; Engine breather filter; Transmission breather; Front and rear axle fluid; SCR supply module filter.

NOTE: \*If equipped w/ option.

## OPERATING WEIGHT

### Z-Bar

Unit equipped w/ 2.75 yd<sup>3</sup> (2.1 m<sup>3</sup>) Case pin on bucket w/ edge; 20.5-R25 L3 Radial tires; ROPS cab w/ heater and A/C; Std. battery; Heavy counterweight – 1,950 lb (885 kg); Front and rear fenders; Lights; 165 lb (75 kg) operator:  
28,159 lb (12 773 kg)

### XT

Unit equipped w/ 2.5 yd<sup>3</sup> (1.9 m<sup>3</sup>) CNH w/ edge and JRB coupler; 20.5-R25 L3 Radial tires; ROPS cab w/ heater and A/C; Std. battery; Heavy counterweight – 1,950 lb (885 kg); Front and rear fenders; Lights; 165 lb (75 kg) operator:  
29,076 lb (13 188 kg)

### XR

Unit equipped w/ 2.5 yd<sup>3</sup> (1.9 m<sup>3</sup>) Case pin on bucket w/ edge; 20.5-R25 L3 Radial tires; ROPS cab w/ heater and A/C; Std. battery; Heavy counterweight – 1,950 lb (885 kg); Front and rear fenders; Lights; 165 lb (75 kg) operator:  
28,483 lb (12 920 kg)

## HYDRAULICS

### Pump – steering/implement:

Closed center pressure/flow compensated

### Variable displacement – load-sensing:

45.2 gpm @ 2000 RPM  
(171 L/min @ 2000 RPM)

### Loader control valve:

Closed-center, sectional 2, 3 or 4-function  
w/ control for lift, tilt and auxiliary hydraulics

### Loader auxiliary steering:

Hydraulic orbital center-pivot articulating  
w/ on-demand oil flow

### High pressure standby:

Implement 3,625 psi (25 000 kPa)  
Steering 3,500 psi (24 132 kPa)

### Filtration:

Filtered vent w/ relief on hydraulic reservoir,  
maintains 3-5 psi on reservoir, 10-micron, return  
filter furnishes only clean oil to all components  
of the system

## SERVICE CAPACITIES

Fuel tank 65.0 gal (246.0 L)

### DEF tank – Diesel Exhaust Fluid:

Usable capacity 9.8 gal (37.1 L)  
Total 15.6 gal (58.9 L)

### Hydraulic system:

Reservoir 24.0 gal (90.8 L)  
Total 39.0 gal (147.6 L)

### Transmission:

Service w/ filter 29.2 qt (27.6 L)

### Front and rear axle:

Front axle 23.2 qt (22.0 L)  
Rear axle 23.2 qt (22.0 L)

### Front and rear axle – optional:

Front axle 23.2 qt (22.0 L)  
Rear axle 23.2 qt (22.0 L)

Engine oil w/ filter 14 qt (13.2 L)

Cooling system 28.4 qt (26.8 L)

## OTHER SPECIFICATIONS

### Lift cylinder:

Bore diameter 4.7 in (120.6 mm)  
Rod diameter 2.5 in (63.5 mm)  
Stroke 31.0 in (787.6 mm)

### Dump cylinder – Z-Bar and XR:

Bore diameter 5.0 in (127 mm)  
Rod diameter 3.0 in (76.2 mm)  
Stroke 24.4 in (619.7 mm)

### Dump cylinder – XT:

Bore diameter 4.5 in (114 mm)  
Rod diameter 2.5 in (63.5 mm)  
Stroke 32.6 in (819.9 mm)

### Loader:

Z-Bar loader linkage; Single control for  
lift and tilt; Positive hold float; Automatic  
return-to-dig; Automatic height control;  
Automatic return-to-travel; Brake pedal  
transmission disconnect; Bucket position  
indicator on bucket.

### Cycle time:

Raise w/ rated bucket load:  
Z-Bar 6.3 sec  
XR 6.3 sec  
XT 6.5 sec

### Dump w/ rated bucket load:

Z-Bar 1.2 sec  
XR 1.2 sec  
XT 2.4 sec

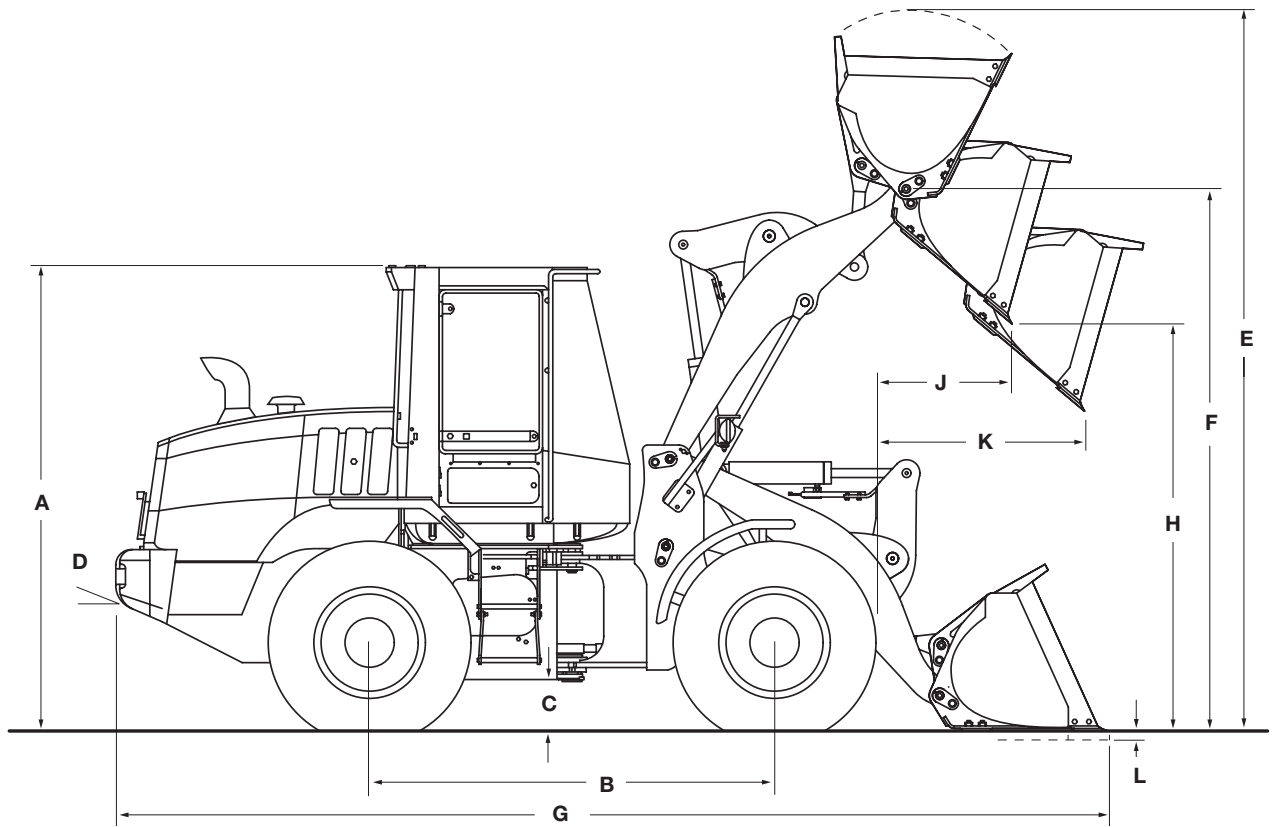
### Float down:

Z-Bar 4.8 sec  
XR 4.8 sec  
XT 4.2 sec

Sound level in Cab (LpA) 68 dB(A)

Exterior sound level (LwA) 104 dB(A)

NOTE: Sound level data tested in accordance  
with ISO6395, 6396, 3744.



Line drawings are for illustrative purpose only and may not be exact representation of unit.

### DIMENSIONS

<b>A.</b> Height to top of ROPS cab	133.2 in (3 384 mm)
Height to drawbar	42.1 in (1 070 mm)
<b>B.</b> Wheelbase	114.2 in (2 900 mm)
<b>C.</b> Ground clearance	15.3 in (389 mm)
<b>D.</b> Angle of departure	25°
Width:	
Overall* without bucket	97.6 in (2 478 mm)
Tread width	76.8 in (1 950 mm)
Turning radius* – outside	205.6 in (5 223 mm)
Turning angle:	
From center	40°
Total angle	80°
Rear axle oscillation – total	24°

NOTE: \*Dimensions taken with 20.5-R25 (L3 Radial) tires. For transport dimensions, refer to specific bucket width and overall length on pages 4 through 9.

### WEIGHT ADJUSTMENTS

Select Options	Weight Adjustment	Tipping Load Adjustment Straight: Deflected*	Tipping Load Adjustment 40° Turn: Deflected*
20.5 x 25 12 ply L2 Bias tires	-592 lb (-269 kg)	-618 lb (-280 kg)	-1,179 lb (-535 kg)
20.5 x 25 12 ply L3 Bias tires	-20 lb (-9 kg)	+240 lb (+109 kg)	+363 lb (+165 kg)
20.5-R25 L2 Radial tires	-256 lb (-116 kg)	-259 lb (-117 kg)	-189 lb (-86 kg)
20.5-R25 Snow Radial Tires	-132 lb (-60 kg)	-175 lb (-79 kg)	-111 lb (-50 kg)
20.5-R25 Solid Tires Req. Diff Axles, Ltd Speed Controller	+4,782 lb (+2 169 kg)	+3,140 lb (+1 424 kg)	+3,327 lb (+1 509 kg)

NOTE: Unit equipped with Z-Bar loader arms, 2.5 yd<sup>3</sup> (1.9 m<sup>3</sup>) general purpose pin on bucket with bolt-on edge, 20.5-R25 (L3 Radial) tires, ROPS cab with heater and air conditioner, heavy counterweight, standard batteries, front and rear fenders, full fuel and 165 lb (79 kg) operator. Adjust select options from rated weight.  
\*Tipping loads: ISO 14397-1 Deflected Tires.

**PERFORMANCE SPECS**

<b>621G Z-Bar*</b>		<b>3.0 yd<sup>3</sup> (2.3 m<sup>3</sup>) Bucket with Bolt-on Edge - Pin On</b>	<b>2.5 yd<sup>3</sup> (1.9 m<sup>3</sup>) Bucket with Bolt-on Edge - Pin On</b>	<b>2.4 yd<sup>3</sup> (1.8 m<sup>3</sup>) Bucket with Teeth Only - Pin On</b>	<b>4.5 yd<sup>3</sup> (3.4 m<sup>3</sup>) Bucket with Bolt-on Edge - Pin On</b>
Operating weight		28,254 lb (12 816 kg)	28,093 lb (12 743 kg)	28,013 lb (12 707 kg)	28,672 lb (13 005 kg)
<b>E.</b> Operating height – fully raised with spillguard		198.6 in (5 044 mm)	194.5 in (4 941 mm)	194.5 in (4 941 mm)	212.9 in (5 408 mm)
<b>F.</b> Hinge pin height – fully raised		150.9 in (3 833 mm)	150.9 in (3 833 mm)	150.9 in (3 834 mm)	150.9 in (3 833 mm)
<b>G.</b> Overall length – bucket level on ground		290.6 in (7 380 mm)	284.9 in (7 237 mm)	290.6 in (7 382 mm)	302.9 in (7 694 mm)
Dump angle – fully raised		51°	51°	51°	50°
<b>H.</b> Dump height – fully raised, 45° dump		110.4 in (2 804 mm)	114.1 in (2 899 mm)	110.4 in (2 805 mm)	102.2 in (2 596 mm)
<b>J.</b> Bucket reach – fully raised, 45° dump		39.8 in (1 010 mm)	36.0 in (916 mm)	40.2 in (1 021 mm)	47.9 in (1 216 mm)
<b>K.</b> Bucket reach – 7 ft 0 in (2.13 m) height, 45° dump		59.6 in (1 513 mm)	57.7 in (1 466 mm)	60.0 in (1 525 mm)	62.9 in (1 598 mm)
<b>L.</b> Dig depth		3.3 in (84 mm)	2.8 in (72 mm)	3.0 in (76 mm)	4.4 in (111 mm)
Operating load – ISO Rigid Tires		10,299 lb (4 671 kg)	10,569 lb (4 794 kg)	10,703 lb (4 855 kg)	9,637 lb (4 371 kg)
Operating load – ISO Deflected Tires		9,375 lb (4 252 kg)	9,633 lb (4 369 kg)	9,756 lb (4 425 kg)	8,737 lb (3 963 kg)
Maximum material density – ISO Rigid Tires		3,433 lb/yd <sup>3</sup> (2 037 kg/m <sup>3</sup> )	4,228 lb/yd <sup>3</sup> (2 509 kg/m <sup>3</sup> )	4,460 lb/yd <sup>3</sup> (2 646 kg/m <sup>3</sup> )	2,142 lb/yd <sup>3</sup> (1 271 kg/m <sup>3</sup> )
Maximum material density – ISO Deflected Tires		3,125 lb/yd <sup>3</sup> (1 854 kg/m <sup>3</sup> )	3,853 lb/yd <sup>3</sup> (2 286 kg/m <sup>3</sup> )	4,065 lb/yd <sup>3</sup> (2 412 kg/m <sup>3</sup> )	1,942 lb/yd <sup>3</sup> (1 152 kg/m <sup>3</sup> )
Tipping load – ISO Rigid Tires:	Straight	23,725 lb (10 761 kg)	24,318 lb (11 030 kg)	24,612 lb (11 164 kg)	22,275 lb (10 104 kg)
	40° turn	20,597 lb (9 343 kg)	21,138 lb (9 588 kg)	21,407 lb (9 710 kg)	19,274 lb (8 742 kg)
Tipping load – ISO Deflected Tires:	Straight	22,307 lb (10 118 kg)	22,881 lb (10 378 kg)	23,155 lb (10 503 kg)	20,896 lb (9 478 kg)
	40° turn	18,749 lb (8 504 kg)	19,266 lb (8 739 kg)	19,511 lb (8 850 kg)	17,474 lb (7 926 kg)
Lift capacity:	Full height	16,266 lb (7 378 kg)	16,442 lb (7 458 kg)	16,530 lb (7 498 kg)	15,794 lb (7 164 kg)
	Ground	22,395 lb (10 158 kg)	25,278 lb (11 466 kg)	26,675 lb (12 100 kg)	21,930 lb (9 947 kg)
Breakout force with tilt cylinder		24,031 lb (10 900 kg)	27,280 lb (12 374 kg)	29,182 lb (13 237 kg)	18,285 lb (8 294 kg)
Loader clearance circle with bucket		455.1 in (11 560 mm)	451.9 in (11 478 mm)	454.8 in (11 552 mm)	462.3 in (11 743 mm)

<b>621G XR</b>		<b>3.0 yd<sup>3</sup> (2.3 m<sup>3</sup>) Bucket with Bolt-on Edge - Pin On</b>	<b>2.5 yd<sup>3</sup> (1.9 m<sup>3</sup>) Bucket with Bolt-on Edge - Pin On</b>	<b>2.4 yd<sup>3</sup> (1.8 m<sup>3</sup>) Bucket with Teeth Only - Pin On</b>	<b>4.5 yd<sup>3</sup> (3.4 m<sup>3</sup>) Bucket with Bolt-on Edge - Pin On</b>
Operating weight		28,644 lb (12 993 kg)	28,483 lb (12 920 kg)	28,403 lb (12 883 kg)	29,062 lb (13 182 kg)
<b>E.</b> Operating height – fully raised with spillguard		215.3 in (5 469 mm)	211.2 in (5 365 mm)	211.2 in (5 365 mm)	229.6 in (5 833 mm)
<b>F.</b> Hinge pin height – fully raised		167.6 in (4 258 mm)	167.6 in (4 258 mm)	167.6 in (4 258 mm)	167.6 in (4 257 mm)
<b>G.</b> Overall length – bucket level on ground		306.7 in (7 789 mm)	301.1 in (7 648 mm)	306.8 in (7 792 mm)	318.8 in (8 099 mm)
Dump angle – fully raised		45°	45°	45°	45°
<b>H.</b> Dump height – fully raised, 45° dump		127.1 in (3 229 mm)	130.8 in (3 323 mm)	127.1 in (3 229 mm)	119.2 in (3 027 mm)
<b>J.</b> Bucket reach – fully raised, 45° dump		39.8 in (1 011 mm)	36.1 in (916 mm)	40.2 in (1 022 mm)	48.2 in (1 225 mm)
<b>K.</b> Bucket reach – 7 ft 0 in (2.13 m) height, 45° dump		73.7 in (1 871 mm)	71.6 in (1 817 mm)	74.1 in (1 883 mm)	77.7 in (1 973 mm)
<b>L.</b> Dig depth		3.5 in (88 mm)	3.0 in (76 mm)	3.2 in (81 mm)	4.5 in (115 mm)
Operating load – ISO Rigid Tires		8,617 lb (3 909 kg)	8,832 lb (4 006 kg)	8,942 lb (4 056 kg)	8,085 lb (3 667 kg)
Operating load – ISO Deflected Tires		7,938 lb (3 601 kg)	8,146 lb (3 695 kg)	8,248 lb (3 741 kg)	7,420 lb (3 366 kg)
Maximum material density – ISO Rigid Tires		2,872 lb/yd <sup>3</sup> (1 704 kg/m <sup>3</sup> )	3,533 lb/yd <sup>3</sup> (2 096 kg/m <sup>3</sup> )	3,726 lb/yd <sup>3</sup> (2 211 kg/m <sup>3</sup> )	1,797 lb/yd <sup>3</sup> (1 066 kg/m <sup>3</sup> )
Maximum material density – ISO Deflected Tires		2,646 lb/yd <sup>3</sup> (1 570 kg/m <sup>3</sup> )	3,259 lb/yd <sup>3</sup> (1 933 kg/m <sup>3</sup> )	3,437 lb/yd <sup>3</sup> (2 039 kg/m <sup>3</sup> )	1,649 lb/yd <sup>3</sup> (978 kg/m <sup>3</sup> )
Tipping load – ISO Rigid Tires:	Straight	19,948 lb (9 048 kg)	20,416 lb (9 261 kg)	20,653 lb (9 368 kg)	18,791 lb (8 523 kg)
	40° turn	17,234 lb (7 817 kg)	17,665 lb (8 013 kg)	17,883 lb (8 112 kg)	16,170 lb (7 335 kg)
Tipping load – ISO Deflected Tires:	Straight	18,927 lb (8 585 kg)	19,385 lb (8 793 kg)	19,609 lb (8 895 kg)	17,792 lb (8 070 kg)
	40° turn	15,876 lb (7 201 kg)	16,293 lb (7 390 kg)	16,496 lb (7 482 kg)	14,840 lb (6 731 kg)
Lift capacity:	Full height	15,791 lb (7 162 kg)	15,959 lb (7 239 kg)	16,044 lb (7 277 kg)	15,308 lb (6 944 kg)
	Ground	25,246 lb (11 451 kg)	25,759 lb (11 684 kg)	25,976 lb (11 783 kg)	24,802 lb (11 250 kg)
Breakout force with tilt cylinder		24,720 lb (11 213 kg)	28,096 lb (12 744 kg)	30,037 lb (13 625 kg)	18,751 lb (8 505 kg)
Loader clearance circle with bucket		470.7 in (11 956 mm)	467.0 in (11 862 mm)	470.4 in (11 948 mm)	478.1 in (12 144 mm)

<b>621G</b>		<b>Z-Bar/XR</b>	<b>Z-Bar/XR</b>	<b>Z-Bar/XR</b>	<b>Z-Bar/XR</b>
Maximum rollback:	Ground	41°/40°	40°/40°	40°/40°	42°/42°
	Carry position	45°/45°	45°/45°	45°/45°	45°/47°
	@ Full height	55°/59°	55°/59°	55°/59°	55°/59°
Maximum grading angle with bucket – back dragging		59°/59°	58°/58°	59°/59°	64°/63°
SAE bucket capacity – struck		2.56 yd <sup>3</sup> (1.96 m <sup>3</sup> )	2.15 yd <sup>3</sup> (1.64 m <sup>3</sup> )	2.05 yd <sup>3</sup> (1.57 m <sup>3</sup> )	3.71 yd <sup>3</sup> (2.84 m <sup>3</sup> )
	Heaped	3.00 yd <sup>3</sup> (2.29 m <sup>3</sup> )	2.50 yd <sup>3</sup> (1.91 m <sup>3</sup> )	2.40 yd <sup>3</sup> (1.83 m <sup>3</sup> )	4.50 yd <sup>3</sup> (3.44 m <sup>3</sup> )
Bucket width – outside		102.4 in (2 602 mm)	102.4 in (2 602 mm)	102.1 in (2 593 mm)	102.4 in (2 602 mm)
Bucket weight		1,957 lb (888 kg)	1,796 lb (814 kg)	1,716 lb (778 kg)	2,374 lb (1 077 kg)

**PERFORMANCE SPECS**

<b>621G Z-Bar*</b>		<b>3.0 yd<sup>3</sup> (2.29 m<sup>3</sup>) Bucket with Bolt-on Edge - JRB Coupler</b>	<b>2.8 yd<sup>3</sup> (2.14 m<sup>3</sup>) Bucket with Teeth - JRB Coupler</b>	<b>2.5 yd<sup>3</sup> (1.91 m<sup>3</sup>) Bucket with Bolt-on Edge - JRB Coupler</b>	<b>2.4 yd<sup>3</sup> (1.8 m<sup>3</sup>) Bucket with Teeth - JRB Coupler</b>
Operating weight		29,119 lb (13 208 kg)	29,039 lb (13 172 kg)	28,930 lb (13 122 kg)	28,852 lb (13 087 kg)
<b>E.</b> Operating height – fully raised with spillguard		205.1 in (5 209 mm)	205.1 in (5 209 mm)	200.4 in (5 090 mm)	200.4 in (5 090 mm)
<b>F.</b> Hinge pin height – fully raised		150.9 in (3 832 mm)	150.9 in (3 832 mm)	150.9 in (3 832 mm)	150.9 in (3 832 mm)
<b>G.</b> Overall length – bucket level on ground		299.2 in (7 601 mm)	305.0 in (7 746 mm)	293.7 in (7 460 mm)	299.4 in (7 604 mm)
Dump angle – fully raised		51°	51°	51°	51°
<b>H.</b> Dump height – fully raised, 45° dump		104.9 in (2 664 mm)	101.2 in (2 570 mm)	108.5 in (2 755 mm)	104.8 in (2 661 mm)
<b>J.</b> Bucket reach – fully raised, 45° dump		47.0 in (1 193 mm)	51.1 in (1 299 mm)	42.7 in (1 085 mm)	46.9 in (1 191 mm)
<b>K.</b> Bucket reach – 7 ft 0 in (2.13 m) height, 45° dump		63.7 in (1 618 mm)	65.5 in (1 664 mm)	61.5 in (1 562 mm)	63.6 in (1 614 mm)
<b>L.</b> Dig depth		2.9 in (73 mm)	3.0 in (77 mm)	2.9 in (73 mm)	3.0 in (77 mm)
Operating load – ISO Rigid Tires		9,271 lb (4 205 kg)	9,398 lb (4 263 kg)	9,500 lb (4 309 kg)	9,619 lb (4 363 kg)
Operating load – ISO Deflected Tires		8,407 lb (3 813 kg)	8,522 lb (3 866 kg)	8,631 lb (3 915 kg)	8,739 lb (3 964 kg)
Maximum material density – ISO Rigid Tires		3,090 lb/yd <sup>3</sup> (1 834 kg/m <sup>3</sup> )	3,356 lb/yd <sup>3</sup> (1 992 kg/m <sup>3</sup> )	3,800 lb/yd <sup>3</sup> (2 255 kg/m <sup>3</sup> )	4,008 lb/yd <sup>3</sup> (2 378 kg/m <sup>3</sup> )
Maximum material density – ISO Deflected Tires		2,802 lb/yd <sup>3</sup> (1 663 kg/m <sup>3</sup> )	3,044 lb/yd <sup>3</sup> (1 806 kg/m <sup>3</sup> )	3,452 lb/yd <sup>3</sup> (2 048 kg/m <sup>3</sup> )	3,641 lb/yd <sup>3</sup> (2 161 kg/m <sup>3</sup> )
Tipping load – ISO Rigid Tires:	Straight	21,483 lb (9 744 kg)	21,760 lb (9 870 kg)	21,978 lb (9 969 kg)	22,238 lb (10 087 kg)
	40° turn	18,543 lb (8 411 kg)	18,796 lb (8 526 kg)	18,999 lb (8 618 kg)	19,238 lb (8 726 kg)
Tipping load – ISO Deflected Tires:	Straight	20,161 lb (9 145 kg)	20,420 lb (9 262 kg)	20,649 lb (9 366 kg)	20,892 lb (9 476 kg)
	40° turn	16,813 lb (7 626 kg)	17,045 lb (7 731 kg)	17,261 lb (7 830 kg)	17,478 lb (7 928 kg)
Lift capacity:	Full height	15,397 lb (6 984 kg)	15,452 lb (7 009 kg)	15,564 lb (7 060 kg)	15,649 lb (7 098 kg)
	Ground	20,923 lb (9 491 kg)	16,177 lb (7 338 kg)	16,975 lb (7 700 kg)	17,704 lb (8 030 kg)
Breakout force with tilt cylinder		18,868 lb (8 558 kg)	20,530 lb (9 312 kg)	21,896 lb (9 932 kg)	23,163 lb (10 506 kg)
Loader clearance circle with bucket		460.2 in (11 689 mm)	463.4 in (11 771 mm)	456.9 in (11 605 mm)	460.0 in (11 683 mm)

<b>621G XR</b>		<b>3.0 yd<sup>3</sup> (2.29 m<sup>3</sup>) Bucket with Bolt-on Edge - JRB Coupler</b>	<b>2.8 yd<sup>3</sup> (2.14 m<sup>3</sup>) Bucket with Teeth - JRB Coupler</b>	<b>2.5 yd<sup>3</sup> (1.91 m<sup>3</sup>) Bucket with Bolt-on Edge - JRB Coupler</b>	<b>2.4 yd<sup>3</sup> (1.8 m<sup>3</sup>) Bucket with Teeth - JRB Coupler</b>
Operating weight		29,508 lb (13 385 kg)	29,428 lb (13 348 kg)	29,319 lb (13 299 kg)	29,241 lb (13 264 kg)
<b>E.</b> Operating height – fully raised with spillguard		221.8 in (5 634 mm)	221.8 in (5 634 mm)	217.1 in (5 514 mm)	217.1 in (5 514 mm)
<b>F.</b> Hinge pin height – fully raised		167.6 in (4 257 mm)	167.6 in (4 257 mm)	167.6 in (4 257 mm)	167.6 in (4 257 mm)
<b>G.</b> Overall length – bucket level on ground		315.4 in (8 011 mm)	321.1 in (8 156 mm)	309.8 in (7 870 mm)	315.5 in (8 014 mm)
Dump angle – fully raised		45°	45°	45°	45°
<b>H.</b> Dump height – fully raised, 45° dump		121.6 in (3 088 mm)	117.9 in (2 995 mm)	125.2 in (3 179 mm)	121.5 in (3 086 mm)
<b>J.</b> Bucket reach – fully raised, 45° dump		47.0 in (1 194 mm)	51.2 in (1 300 mm)	42.8 in (1 086 mm)	46.9 in (1 192 mm)
<b>K.</b> Bucket reach – 7 ft 0 in (2.13 m) height, 45° dump		78.2 in (1 987 mm)	80.4 in (2 041 mm)	75.7 in (1 924 mm)	78.1 in (1 983 mm)
<b>L.</b> Dig depth		3.1 in (78 mm)	3.2 in (82 mm)	3.1 in (78 mm)	3.2 in (81 mm)
Operating load – ISO Rigid Tires		7,764 lb (3 522 kg)	7,868 lb (3 569 kg)	7,953 lb (3 608 kg)	8,052 lb (3 652 kg)
Operating load – ISO Deflected Tires		7,120 lb (3 230 kg)	7,218 lb (3 274 kg)	7,308 lb (3 315 kg)	7,400 lb (3 357 kg)
Maximum material density – ISO Rigid Tires		2,588 lb/yd <sup>3</sup> (1 536 kg/m <sup>3</sup> )	2,810 lb/yd <sup>3</sup> (1 667 kg/m <sup>3</sup> )	3,181 lb/yd <sup>3</sup> (1 888 kg/m <sup>3</sup> )	3,355 lb/yd <sup>3</sup> (1 991 kg/m <sup>3</sup> )
Maximum material density – ISO Deflected Tires		2,373 lb/yd <sup>3</sup> (1 408 kg/m <sup>3</sup> )	2,578 lb/yd <sup>3</sup> (1 530 kg/m <sup>3</sup> )	2,923 lb/yd <sup>3</sup> (1 735 kg/m <sup>3</sup> )	3,083 lb/yd <sup>3</sup> (1 830 kg/m <sup>3</sup> )
Tipping load – ISO Rigid Tires:	Straight	18,102 lb (8 211 kg)	18,329 lb (8 314 kg)	18,509 lb (8 396 kg)	18,723 lb (8 493 kg)
	40° turn	15,527 lb (7 043 kg)	15,736 lb (7 138 kg)	15,907 lb (7 215 kg)	16,104 lb (7 305 kg)
Tipping load – ISO Deflected Tires:	Straight	17,137 lb (7 773 kg)	17,354 lb (7 872 kg)	17,542 lb (7 957 kg)	17,745 lb (8 049 kg)
	40° turn	14,241 lb (6 459 kg)	14,436 lb (6 548 kg)	14,616 lb (6 630 kg)	14,800 lb (6 713 kg)
Lift capacity:	Full height	14,924 lb (6 769 kg)	14,995 lb (6 802 kg)	15,104 lb (6 851 kg)	15,186 lb (6 888 kg)
	Ground	24,358 lb (11 049 kg)	23,528 lb (10 672 kg)	23,788 lb (10 790 kg)	23,995 lb (10 884 kg)
Breakout force with tilt cylinder		19,474 lb (8 833 kg)	21,155 lb (9 596 kg)	22,571 lb (10 238 kg)	23,864 lb (10 824 kg)
Loader clearance circle with bucket		476.2 in (12 095 mm)	479.8 in (12 187 mm)	472.4 in (12 000 mm)	476.0 in (12 089 mm)

<b>621G</b>		<b>Z-Bar/XR</b>	<b>Z-Bar/XR</b>	<b>Z-Bar/XR</b>	<b>Z-Bar/XR</b>
Maximum rollback:	Ground	40°/40°	40°/40°	40°/40°	40°/40°
	Carry position	45°/46°	45°/46°	45°/46°	45°/46°
	@ Full height	55°/59°	55°/59°	55°/59°	55°/59°
Maximum grading angle with bucket – back dragging		62°/61°	64°/62°	60°/60°	62°/61°
SAE bucket capacity – struck		2.60 yd <sup>3</sup> (1.99 m <sup>3</sup> )	2.40 yd <sup>3</sup> (1.83 m <sup>3</sup> )	2.15 yd <sup>3</sup> (1.64 m <sup>3</sup> )	2.05 yd <sup>3</sup> (1.57 m <sup>3</sup> )
	Heaped	3.00 yd <sup>3</sup> (2.29 m <sup>3</sup> )	2.80 yd <sup>3</sup> (2.14 m <sup>3</sup> )	2.50 yd <sup>3</sup> (1.91 m <sup>3</sup> )	2.40 yd <sup>3</sup> (1.83 m <sup>3</sup> )
Bucket width – outside		102.4 in (2 602 mm)	102.1 in (2 593 mm)	102.4 in (2 602 mm)	102.1 in (2 593 mm)
Bucket weight		2,821 lb (1 280 kg)	2,741 lb (1 243 kg)	2,632 lb (1 194 kg)	2,554 lb (1 158 kg)



**PERFORMANCE SPECS**

<b>621G Z-Bar*</b>		<b>3.0 yd<sup>3</sup> (2.29 m<sup>3</sup>) Bucket with Bolt-on Edge - ACS Coupler</b>	<b>2.8 yd<sup>3</sup> (2.14 m<sup>3</sup>) Bucket with Teeth - ACS Coupler</b>	<b>2.5 yd<sup>3</sup> (1.91 m<sup>3</sup>) Bucket with Bolt-on Edge - ACS Coupler</b>	<b>2.4 yd<sup>3</sup> (1.8 m<sup>3</sup>) Bucket with Teeth - ACS Coupler</b>
Operating weight		29,322 lb (13 300 kg)	29,242 lb (13 264 kg)	29,109 lb (13 203 kg)	29,028 lb (13 167 kg)
<b>E.</b> Operating height – fully raised with spillguard		203.7 in (5 173 mm)	203.7 in (5 173 mm)	199.2 in (5 059 mm)	199.2 in (5 059 mm)
<b>F.</b> Hinge pin height – fully raised		150.9 in (3 832 mm)	150.9 in (3 832 mm)	150.9 in (3 832 mm)	150.9 in (3 832 mm)
<b>G.</b> Overall length – bucket level on ground		297.3 in (7 551 mm)	303.0 in (7 696 mm)	292.0 in (7 418 mm)	297.7 in (7 562 mm)
Dump angle – fully raised		51°	51°	51°	51°
<b>H.</b> Dump height – fully raised, 45° dump		106.1 in (2 696 mm)	102.4 in (2 602 mm)	109.5 in (2 782 mm)	105.8 in (2 688 mm)
<b>J.</b> Bucket reach – fully raised, 45° dump		45.5 in (1 155 mm)	49.6 in (1 260 mm)	41.5 in (1 053 mm)	45.6 in (1 158 mm)
<b>K.</b> Bucket reach – 7 ft 0 in (2.13 m) height, 45° dump		62.9 in (1 598 mm)	64.8 in (1 646 mm)	60.8 in (1 545 mm)	62.9 in (1 597 mm)
<b>L.</b> Dig depth		2.9 in (74 mm)	3.1 in (78 mm)	2.9 in (73 mm)	3.1 in (78 mm)
Operating load – ISO Rigid Tires		9,329 lb (4 232 kg)	9,456 lb (4 289 kg)	9,542 lb (4 328 kg)	9,662 lb (4 383 kg)
Operating load – ISO Deflected Tires		8,450 lb (3 833 kg)	8,566 lb (3 886 kg)	8,661 lb (3 928 kg)	8,771 lb (3 978 kg)
Maximum material density – ISO Rigid Tires		3,110 lb/yd <sup>3</sup> (1 845 kg/m <sup>3</sup> )	3,377 lb/yd <sup>3</sup> (2 004 kg/m <sup>3</sup> )	3,817 lb/yd <sup>3</sup> (2 265 kg/m <sup>3</sup> )	4,026 lb/yd <sup>3</sup> (2 389 kg/m <sup>3</sup> )
Maximum material density – ISO Deflected Tires		2,817 lb/yd <sup>3</sup> (1 671 kg/m <sup>3</sup> )	3,059 lb/yd <sup>3</sup> (1 815 kg/m <sup>3</sup> )	3,464 lb/yd <sup>3</sup> (2 056 kg/m <sup>3</sup> )	3,655 lb/yd <sup>3</sup> (2 168 kg/m <sup>3</sup> )
Tipping load – ISO Rigid Tires:	Straight	21,642 lb (9 817 kg)	21,921 lb (9 943 kg)	22,099 lb (10 024 kg)	22,361 lb (10 143 kg)
	40° turn	18,658 lb (8 463 kg)	18,913 lb (8 579 kg)	19,084 lb (8 656 kg)	19,324 lb (8 765 kg)
Tipping load – ISO Deflected Tires:	Straight	20,296 lb (9 206 kg)	20,558 lb (9 325 kg)	20,750 lb (9 412 kg)	20,996 lb (9 524 kg)
	40° turn	16,899 lb (7 665 kg)	17,133 lb (7 771 kg)	17,321 lb (7 857 kg)	17,542 lb (7 957 kg)
Lift capacity:	Full height	15,175 lb (6 883 kg)	15,263 lb (6 923 kg)	15,396 lb (6 984 kg)	15,483 lb (7 023 kg)
	Ground	16,546 lb (7 505 kg)	17,354 lb (7 871 kg)	17,992 lb (8 161 kg)	18,795 lb (8 525 kg)
Breakout force with tilt cylinder		20,212 lb (9 168 kg)	21,315 lb (9 668 kg)	22,635 lb (10 267 kg)	24,003 lb (10 887 kg)
Loader clearance circle with bucket		459.0 in (11 659 mm)	462.2 in (11 740 mm)	455.9 in (11 580 mm)	459.0 in (11 658 mm)

<b>621G XR</b>		<b>3.0 yd<sup>3</sup> (2.29 m<sup>3</sup>) Bucket with Bolt-on Edge - ACS Coupler</b>	<b>2.8 yd<sup>3</sup> (2.14 m<sup>3</sup>) Bucket with Teeth - ACS Coupler</b>	<b>2.5 yd<sup>3</sup> (1.91 m<sup>3</sup>) Bucket with Bolt-on Edge - ACS Coupler</b>	<b>2.4 yd<sup>3</sup> (1.8 m<sup>3</sup>) Bucket with Teeth - ACS Coupler</b>
Operating weight		29,711 lb (13 477 kg)	29,631 lb (13 440 kg)	29,498 lb (13 380 kg)	29,418 lb (13 344 kg)
<b>E.</b> Operating height – fully raised with spillguard		220.4 in (5 597 mm)	220.4 in (5 597 mm)	215.9 in (5 484 mm)	215.9 in (5 484 mm)
<b>F.</b> Hinge pin height – fully raised		167.6 in (4 256 mm)	167.6 in (4 256 mm)	167.6 in (4 257 mm)	167.6 in (4 257 mm)
<b>G.</b> Overall length – bucket level on ground		313.4 in (7 961 mm)	319.1 in (8 106 mm)	308.2 in (7 828 mm)	313.9 in (7 972 mm)
Dump angle – fully raised		45°	45°	45°	45°
<b>H.</b> Dump height – fully raised, 45° dump		122.9 in (3 121 mm)	119.2 in (3 027 mm)	126.2 in (3 206 mm)	122.5 in (3 113 mm)
<b>J.</b> Bucket reach – fully raised, 45° dump		45.5 in (1 156 mm)	49.7 in (1 261 mm)	41.5 in (1 054 mm)	45.6 in (1 159 mm)
<b>K.</b> Bucket reach – 7 ft 0 in (2.13 m) height, 45° dump		77.3 in (1 965 mm)	79.6 in (2 021 mm)	75.0 in (1 904 mm)	77.3 in (1 964 mm)
<b>L.</b> Dig depth		3.1 in (78 mm)	3.2 in (82 mm)	3.1 in (78 mm)	3.2 in (82 mm)
Operating load – ISO Rigid Tires		7,779 lb (3 528 kg)	7,883 lb (3 576 kg)	7,960 lb (3 611 kg)	8,059 lb (3 656 kg)
Operating load – ISO Deflected Tires		7,127 lb (3 233 kg)	7,225 lb (3 277 kg)	7,307 lb (3 314 kg)	7,400 lb (3 357 kg)
Maximum material density – ISO Rigid Tires		2,593 lb/yd <sup>3</sup> (1 539 kg/m <sup>3</sup> )	2,816 lb/yd <sup>3</sup> (1 671 kg/m <sup>3</sup> )	3,184 lb/yd <sup>3</sup> (1 889 kg/m <sup>3</sup> )	3,358 lb/yd <sup>3</sup> (1 993 kg/m <sup>3</sup> )
Maximum material density – ISO Deflected Tires		2,376 lb/yd <sup>3</sup> (1 410 kg/m <sup>3</sup> )	2,580 lb/yd <sup>3</sup> (1 531 kg/m <sup>3</sup> )	2,923 lb/yd <sup>3</sup> (1 734 kg/m <sup>3</sup> )	3,083 lb/yd <sup>3</sup> (1 830 kg/m <sup>3</sup> )
Tipping load – ISO Rigid Tires:	Straight	18,165 lb (8 240 kg)	18,393 lb (8 343 kg)	18,549 lb (8 414 kg)	18,765 lb (8 512 kg)
	40° turn	15,558 lb (7 057 kg)	15,767 lb (7 152 kg)	15,920 lb (7 221 kg)	16,118 lb (7 311 kg)
Tipping load – ISO Deflected Tires:	Straight	17,187 lb (7 796 kg)	17,404 lb (7 894 kg)	17,570 lb (7 970 kg)	17,775 lb (8 063 kg)
	40° turn	14,254 lb (6 466 kg)	14,450 lb (6 554 kg)	14,614 lb (6 629 kg)	14,800 lb (6 713 kg)
Lift capacity:	Full height	14,715 lb (6 675 kg)	14,799 lb (6 713 kg)	14,931 lb (6 772 kg)	15,015 lb (6 811 kg)
	Ground	23,380 lb (10 605 kg)	23,606 lb (10 707 kg)	23,840 lb (10 814 kg)	24,049 lb (10 908 kg)
Breakout force with tilt cylinder		20,843 lb (9 454 kg)	21,967 lb (9 964 kg)	23,336 lb (10 585 kg)	24,730 lb (11 217 kg)
Loader clearance circle with bucket		474.8 in (12 061 mm)	478.4 in (12 152 mm)	471.4 in (11 973 mm)	474.9 in (12 061 mm)

<b>621G</b>		<b>Z-Bar/XR</b>	<b>Z-Bar/XR</b>	<b>Z-Bar/XR</b>	<b>Z-Bar/XR</b>
Maximum rollback:	Ground	40°/40°	40°/40°	40°/40°	40°/40°
	Carry position	45°/46°	45°/46°	45°/46°	45°/46°
	@ Full height	55°/59°	55°/59°	55°/59°	55°/59°
Maximum grading angle with bucket – back dragging		61°/60°	63°/61°	60°/60°	61°/60°
SAE bucket capacity – struck		2.60 yd <sup>3</sup> (1.99 m <sup>3</sup> )	2.40 yd <sup>3</sup> (1.83 m <sup>3</sup> )	2.15 yd <sup>3</sup> (1.64 m <sup>3</sup> )	2.05 yd <sup>3</sup> (1.57 m <sup>3</sup> )
	Heaped	3.00 yd <sup>3</sup> (2.29 m <sup>3</sup> )	2.80 yd <sup>3</sup> (2.14 m <sup>3</sup> )	2.50 yd <sup>3</sup> (1.91 m <sup>3</sup> )	2.40 yd <sup>3</sup> (1.83 m <sup>3</sup> )
Bucket width – outside		102.4 in (2 602 mm)	102.1 in (2 593 mm)	102.4 in (2 602 mm)	102.1 in (2 593 mm)
Bucket weight		3,024 lb (1 372 kg)	2,944 lb (1 335 kg)	2,811 lb (1 275 kg)	2,731 lb (1 239 kg)

**PERFORMANCE SPECS**

<b>621G XT</b>		<b>3.0 yd<sup>3</sup> (2.29 m<sup>3</sup>) Bucket with Bolt-on Edge - JRB Coupler</b>	<b>2.8 yd<sup>3</sup> (2.14 m<sup>3</sup>) Bucket with Teeth - JRB Coupler</b>	<b>2.5 yd<sup>3</sup> (1.91 m<sup>3</sup>) Bucket with Bolt-on Edge - JRB Coupler</b>	<b>2.4 yd<sup>3</sup> (1.8 m<sup>3</sup>) Bucket with Teeth - JRB Coupler</b>
Operating weight		29,519 lb (13 389 kg)	29,442 lb (13 355 kg)	29,332 lb (13 305 kg)	29,253 lb (13 269 kg)
<b>E.</b> Operating height – fully raised with spillguard		216.7 in (5 505 mm)	216.7 in (5 505 mm)	212.0 in (5 386 mm)	212.0 in (5 386 mm)
<b>F.</b> Hinge pin height – fully raised		155.9 in (3 960 mm)	155.9 in (3 960 mm)	155.9 in (3 960 mm)	155.9 in (3 960 mm)
<b>G.</b> Overall length – bucket level on ground		307.8 in (7 818 mm)	313.5 in (7 963 mm)	302.2 in (7 676 mm)	307.7 in (7 817 mm)
Dump angle – fully raised		55°	55°	55°	55°
<b>H.</b> Dump height – fully raised, 45° dump		104.3 in (2 648 mm)	100.6 in (2 554 mm)	107.8 in (2 739 mm)	104.3 in (2 648 mm)
<b>J.</b> Bucket reach – fully raised, 45° dump		55.5 in (1 409 mm)	59.6 in (1 515 mm)	51.2 in (1 301 mm)	55.2 in (1 402 mm)
<b>K.</b> Bucket reach – 7 ft 0 in (2.13 m) height, 45° dump		72.2 in (1 833 mm)	73.9 in (1 878 mm)	70.1 in (1 780 mm)	71.9 in (1 827 mm)
<b>L.</b> Dig depth		2.5 in (62 mm)	2.6 in (66 mm)	2.4 in (62 mm)	2.6 in (66 mm)
Operating load – ISO Rigid Tires		8,506 lb (3 858 kg)	8,616 lb (3 908 kg)	8,704 lb (3 948 kg)	8,421 lb (3 820 kg)
Operating load – ISO Deflected Tires		7,672 lb (3 480 kg)	7,774 lb (3 526 kg)	7,867 lb (3 568 kg)	7,617 lb (3 455 kg)
Maximum material density – ISO Rigid Tires		2,835 lb/yd <sup>3</sup> (1 682 kg/m <sup>3</sup> )	3,077 lb/yd <sup>3</sup> (1 826 kg/m <sup>3</sup> )	3,482 lb/yd <sup>3</sup> (2 066 kg/m <sup>3</sup> )	3,509 lb/yd <sup>3</sup> (2 082 kg/m <sup>3</sup> )
Maximum material density – ISO Deflected Tires		2,557 lb/yd <sup>3</sup> (1 517 kg/m <sup>3</sup> )	2,776 lb/yd <sup>3</sup> (1 647 kg/m <sup>3</sup> )	3,147 lb/yd <sup>3</sup> (1 867 kg/m <sup>3</sup> )	3,174 lb/yd <sup>3</sup> (1 883 kg/m <sup>3</sup> )
Tipping load – ISO Rigid Tires:	Straight	19,723 lb (8 946 kg)	19,963 lb (9 055 kg)	20,149 lb (9 140 kg)	19,480 lb (8 836 kg)
	40° turn	17,012 lb (7 716 kg)	17,233 lb (7 817 kg)	17,409 lb (7 896 kg)	16,843 lb (7 640 kg)
Tipping load – ISO Deflected Tires:	Straight	18,456 lb (8 372 kg)	18,683 lb (8 474 kg)	18,877 lb (8 562 kg)	18,262 lb (8 283 kg)
	40° turn	15,344 lb (6 960 kg)	15,548 lb (7 052 kg)	15,733 lb (7 136 kg)	15,235 lb (6 910 kg)
Lift capacity:	Full height	13,913 lb (6 311 kg)	14,055 lb (6 375 kg)	14,175 lb (6 430 kg)	13,985 lb (6 344 kg)
	Ground	26,995 lb (12 245 kg)	28,110 lb (12 750 kg)	28,545 lb (12 948 kg)	24,581 lb (11 150 kg)
Breakout force with tilt cylinder		20,671 lb (9 376 kg)	21,613 lb (9 803 kg)	22,854 lb (10 366 kg)	24,077 lb (10 921 kg)
Loader clearance circle with bucket		453.4 in (11 517 mm)	455.5 in (11 569 mm)	451.2 in (11 460 mm)	453.1 in (11 509 mm)

<b>621G XT</b>		<b>3.0 yd<sup>3</sup> (2.29 m<sup>3</sup>) Bucket with Bolt-on Edge - ACS Coupler</b>	<b>2.8 yd<sup>3</sup> (2.14 m<sup>3</sup>) Bucket with Teeth - ACS Coupler</b>	<b>2.5 yd<sup>3</sup> (1.91 m<sup>3</sup>) Bucket with Bolt-on Edge - ACS Coupler</b>	<b>2.4 yd<sup>3</sup> (1.8 m<sup>3</sup>) Bucket with Teeth - ACS Coupler</b>
Operating weight		29,852 lb (13 541 kg)	29,774 lb (13 505 kg)	29,639 lb (13 444 kg)	29,561 lb (13 409 kg)
<b>E.</b> Operating height – fully raised with spillguard		212.1 in (5 387 mm)	212.1 in (5 387 mm)	207.6 in (5 274 mm)	207.6 in (5 274 mm)
<b>F.</b> Hinge pin height – fully raised		155.9 in (3 959 mm)	155.9 in (3 959 mm)	155.9 in (3 959 mm)	155.9 in (3 959 mm)
<b>G.</b> Overall length – bucket level on ground		301.8 in (7 666 mm)	307.5 in (7 810 mm)	296.6 in (7 533 mm)	302.3 in (7 678 mm)
Dump angle – fully raised		55°	55°	55°	55°
<b>H.</b> Dump height – fully raised, 45° dump		108.1 in (2 745 mm)	104.4 in (2 653 mm)	111.5 in (2 831 mm)	107.8 in (2 737 mm)
<b>J.</b> Bucket reach – fully raised, 45° dump		50.9 in (1 293 mm)	55.1 in (1 399 mm)	46.9 in (1 191 mm)	51.0 in (1 296 mm)
<b>K.</b> Bucket reach – 7 ft 0 in (2.13 m) height, 45° dump		69.9 in (1 776 mm)	71.9 in (1 826 mm)	67.7 in (1 721 mm)	69.8 in (1 774 mm)
<b>L.</b> Dig depth		2.5 in (63 mm)	2.6 in (65 mm)	2.5 in (62 mm)	2.6 in (67 mm)
Operating load – ISO Rigid Tires		8,755 lb (3 971 kg)	8,871 lb (4 024 kg)	8,948 lb (4 059 kg)	9,058 lb (4 109 kg)
Operating load – ISO Deflected Tires		7,883 lb (3 576 kg)	7,990 lb (3 624 kg)	8,077 lb (3 664 kg)	8,178 lb (3 709 kg)
Maximum material density – ISO Rigid Tires		2,918 lb/yd <sup>3</sup> (1 732 kg/m <sup>3</sup> )	3,168 lb/yd <sup>3</sup> (1 880 kg/m <sup>3</sup> )	3,579 lb/yd <sup>3</sup> (2 124 kg/m <sup>3</sup> )	3,774 lb/yd <sup>3</sup> (2 239 kg/m <sup>3</sup> )
Maximum material density – ISO Deflected Tires		2,628 lb/yd <sup>3</sup> (1 559 kg/m <sup>3</sup> )	2,854 lb/yd <sup>3</sup> (1 693 kg/m <sup>3</sup> )	3,231 lb/yd <sup>3</sup> (1 917 kg/m <sup>3</sup> )	3,407 lb/yd <sup>3</sup> (2 022 kg/m <sup>3</sup> )
Tipping load – ISO Rigid Tires:	Straight	20,330 lb (9 221 kg)	20,584 lb (9 337 kg)	20,741 lb (9 408 kg)	20,981 lb (9 517 kg)
	40° turn	17,509 lb (7 942 kg)	17,742 lb (8 048 kg)	17,895 lb (8 117 kg)	18,116 lb (8 217 kg)
Tipping load – ISO Deflected Tires:	Straight	19,002 lb (8 619 kg)	19,241 lb (8 727 kg)	19,415 lb (8 806 kg)	19,640 lb (8 908 kg)
	40° turn	15,766 lb (7 152 kg)	15,980 lb (7 248 kg)	16,154 lb (7 327 kg)	16,356 lb (7 419 kg)
Lift capacity:	Full height	13,929 lb (6 318 kg)	14,074 lb (6 384 kg)	14,197 lb (6 440 kg)	14,337 lb (6 503 kg)
	Ground	32,621 lb (14 797 kg)	34,152 lb (15 491 kg)	34,382 lb (15 596 kg)	35,919 lb (16 293 kg)
Breakout force with tilt cylinder		22,941 lb (10 406 kg)	24,092 lb (10 928 kg)	25,446 lb (11 542 kg)	26,841 lb (12 175 kg)
Loader clearance circle with bucket		451.0 in (11 456 mm)	453.0 in (11 506 mm)	449.0 in (11 405 mm)	450.9 in (11 454 mm)

<b>621G</b>		<b>JRB/ACS</b>	<b>JRB/ACS</b>	<b>JRB/ACS</b>	<b>JRB/ACS</b>
Maximum rollback:	Ground	57°/57°	57°/57°	57°/57°	57°/57°
	Carry position	59°/59°	59°/59°	59°/59°	59°/59°
	@ Full height	59°/59°	59°/59°	59°/59°	59°/59°
Maximum grading angle with bucket – back dragging		63°/62°	64°/63°	62°/60°	63°/62°
SAE bucket capacity – struck		2.60 yd <sup>3</sup> (1.99 m <sup>3</sup> )	2.40 yd <sup>3</sup> (1.83 m <sup>3</sup> )	2.15 yd <sup>3</sup> (1.64 m <sup>3</sup> )	2.05 yd <sup>3</sup> (1.57 m <sup>3</sup> )
	Heaped	3.00 yd <sup>3</sup> (2.29 m <sup>3</sup> )	2.80 yd <sup>3</sup> (2.14 m <sup>3</sup> )	2.50 yd <sup>3</sup> (1.91 m <sup>3</sup> )	2.40 yd <sup>3</sup> (1.83 m <sup>3</sup> )
Bucket width – outside		102.4 in (2 602 mm)	102.1 in (2 593 mm)	102.4 in (2 602 mm)	102.1 in (2 593 mm)
Bucket weight		2,797 lb/3,131 lb (1 269 kg)/(1 420 kg)	2,721 lb/3,053 lb (1 234 kg)/(1 385 kg)	2,610 lb/2,918 lb (1 184 kg)/(1 324 kg)	2,532 lb/2,840 lb (1 149 kg)/(1 288 kg)

NOTE: \*Z-Bar performance data shown with full counterweight. Performance data unit equipped with 20.5-R25 Michelin XTLA (L2 Radial) tires, ROPS cab with heater and A/C, full counterweight, standard batteries, front and rear fenders, full fuel and 165 lb (75 kg) operator. Specifications per SAE J732, J1234, J695, J742 and J818.

## STANDARD EQUIPMENT

### OPERATOR ENVIRONMENT

See page 1

### ENGINE

CASE/FPT F4HFE613W  
Tier 4 Final Certified  
Selective Catalytic Reduction (SCR) with Diesel Oxidation Catalyst  
Selectable work modes:  
Maximum Mode  
Smart Mode  
Turbocharger  
Charge air cooling  
Automatic belt tensioner  
Integral engine oil cooling  
Fuel filter with water trap  
Dual-element dry-type air cleaner  
Hydraulic-driven cooling fan  
Air-cooled radiator  
Mid-mounted cooling module with hydraulically driven auto-reversing fan  
Engine block heater  
Common rail electronic fuel injection

### LOADER

See page 2 – Operating weight,  
Other specifications

### DRIVETRAIN

4-wheel drive  
4F/3R Selectable autoshift/manual shift transmission  
Electronic Control Module – programmable, computer controlled proportional shifting with programmable gear selection  
Onboard diagnostics  
Single lever electronic shift control  
F/N/R switch in loader control handle  
Downshift button  
Torque converter  
Limited-slip differentials – Z-Bar  
Outboard planetary axles  
Transmission oil cooler  
Brake pedal transmission disconnect – declutch  
Hydraulic wet disc brakes  
Spring-applied hydraulic release parking brake  
Limp-Home Mode  
Greaseable rear axle trunnion  
3-piece rims

### HYDRAULICS

Adjustable Electro-hydraulic - EH loader control with one auxiliary function and 3 configurable buttons  
Adjustable EH controls:  
Smooth  
Moderate  
Aggressive  
Auxiliary Hydraulics  
Ride Control™  
Locking hydraulics for hydraulic coupler  
EH Parallel Lift  
Low-effort steering  
Hydraulic driven cooling fan  
Diagnostic quick couplers  
Hydraulic oil cooler

### ELECTRICAL

Alternator and voltage regulator  
Battery isolator/electrical disconnect  
120 amp alternator  
(2) 700 CCA 12-volt batteries  
Electric starter  
Lights:  
Integrated 4-corner strobe  
2 Front and 2 rear halogen flood lights  
2 Front driving headlights – high/low beam with integrated turn signals  
2 LED stop/tail lights with integrated turn signals  
Key start/stop switch  
Backup alarm  
Centrally located fuse box with all electrical circuits protected  
Remote jump start posts

### OTHER

Electric hood lift  
Front and rear fenders, partial coverage  
External rear view mirrors  
Heavy counterweight  
Drawbar hitch  
Articulation locking bar  
Lift arm locking bar  
Lift and tie-down points – front/rear  
Rear frame side covers  
License plate brackets; front bracket and lit rear bracket  
Rubber steering stops  
Grouped remote-mounted ecology drains:  
Engine oil  
Engine coolant  
Hydraulic oil

### TELEMATICS

CASE SiteWatch™ Telematics – includes hardware and a 3-yr Advanced data subscription  
SiteConnect Module providing remote diagnostics capability



## OPTIONAL EQUIPMENT

### OPERATOR ENVIRONMENT

Cloth-covered heated air-suspension seat with headrest  
Sound Shield noise suppression package  
Bluetooth radio, 12V AM/FM with auxiliary input  
Cab convenience package:  
Rear sun shade, interior mirror, under the seat drawer, coat hook, 12V accessory port, and an ash tray  
In cab powered cooler box  
In cab accessory mount  
Rear view camera  
External heated rear view mirrors  
Front LED driving/headlights  
LED front and rear work lights – 4 front, 2 rear

### DRIVETRAIN

5F/3R Autoshift/manual shift transmission, lockup torque converter, PowerInch de-clutch  
Heavy-duty axles:  
With locking front differential and open/conventional rear differential  
Cold weather package:  
Heavy-duty (2) 950 CCA 12V batteries  
Fuel heater  
Hydraulic oil cooler bypass  
Low temperature hydraulic oil  
Fast-warm hydraulic valve

### HYDRAULICS

Secondary steering  
Integrated Payload System  
Tire Pressure Monitoring System  
2-spool loader valves with joystick loader control  
4-function loader valve with joystick loader control and two proportional auxiliary roller switches

### LOADER

XR extended reach version  
XT tool carrier version  
Attachment auxiliary hydraulics  
Coupler systems – JRB or ACS compatible  
Buckets – see pages 4 through 8

### TIRES

20.5x25 L2 bias (16 ply) – dirt/traction  
20.5 x25 L3 bias (16 ply) – rock  
20.5-R25 L2 radial – dirt/traction  
20.5-R25 L3 radial – rock  
20.5-R25 radial Michelin SnoPlus  
Axle oscillation stops

### GUARDING

Skid plate, transmission and front chassis bottom guards

### ADVANCED ENGINE AIR FILTRATION

Heavy Debris cooling system:  
Slanted cooling module cover  
Increased cooling fin spacing  
Added cooling module sealing  
Sy-Klone® ejector type pre-cleaner

### OTHER

Additional RH steps and platform with standard or wide fenders  
12.4 mph (20 kph) maximum speed control  
Special paint  
Standard fenders with right and left hand steps  
Wide full coverage fenders with right and left hand steps

CaseCE.com

©2021 CNH Industrial America LLC. All rights reserved. CASE is a trademark registered in the United States and many other countries, owned by or licensed to CNH Industrial N.V., its subsidiaries or affiliates. CNH Industrial Capital is a trademark in the United States and many other countries, owned by or licensed to CNH Industrial N.V., its subsidiaries or affiliates. Printed in U.S.A. Contains 10% post-consumer fiber.

IMPORTANT: CASE Construction Equipment Inc. reserves the right to change these specifications without notice and without incurring any obligation relating to such change. Availability of some models and equipment builds vary according to the country in which the equipment is used. The illustrations and text may include optional equipment and accessories and may not include all standard equipment. Your CASE dealer/distributor will be able to give you details of the products and their specifications available in your area.



CASE Construction Equipment is biodiesel-friendly. NOTE: All engines meet current EPA emissions regulations. All specifications are stated in accordance with SAE Standards or Recommended Practices, where applicable.



Always read the Operator's Manual before operating any equipment. Inspect equipment before using it, and be sure it is operating properly. Follow the product safety signs and use any safety features provided.

Form No. CCE202104621G  
Replaces Form No. CCE201910621G

621G

9 of 9