



TECHNICAL DATA

MASSES

Mass with wet sand ballast 43,000 lbs

COMPACTION

Rolling width 91 in
 Tire overlap 1.7 in
 Wheel loads, without ballast 3,000 lbs
 Wheel loads, with wet sand ballast 4,800 lbs
 Wheel loads, with max. ballast 6,600 lbs
 Tire pressure (min/max) 36 /123 psi
 Tire type (smooth) 11.00 -20
 Water spray system, type Pressurized
 Water spray system, tank capacity 110 gal
 Water spray system, spray nozzle one per tire
 Ballast volume 106 cu. ft.

PROPULSION

Speed high 12.5 mph

ENGINE

Manufacturer/Model Cummins QSF 3.8 (Tier 4F)
 Rated power, SAE J1995 120 hp @ 2,200 rpm
 Type Water cooled turbo Diesel
 Electrical system 24 V
 Fuel tank capacity 55 gal

ENGINE

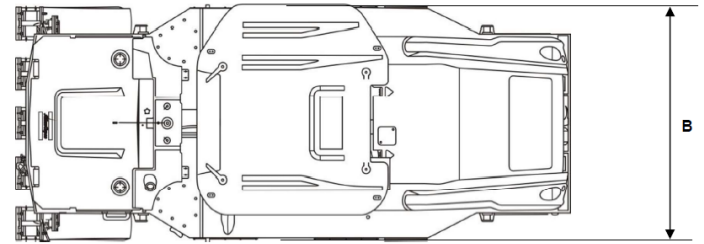
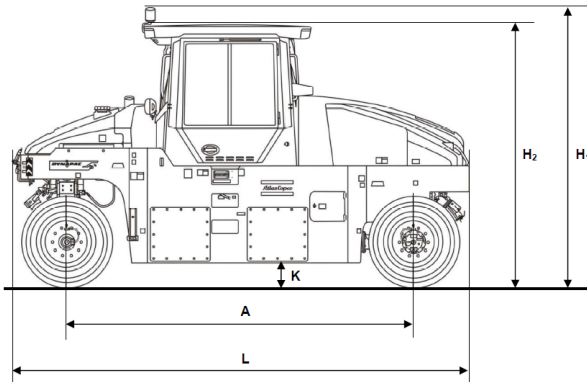
Manufacturer/Model Cummins QSB 4.5 (Tier 3)
 Rated power, SAE J1995 82 kW (110 hp) @ 2200 rpm
 Type Water cooled turbo Diesel

HYDRAULIC SYSTEM

Driving Axial piston pump with variable displacement.
 Axial piston motors (2) with variable displacement.
 Steering Axial piston pump with variable displacement.
 Service brake 2 multidisc brakes on rear wheels activated by pedal.
 Parking/Emergency brake Failsafe multidisc brakes in both gear boxes.

Find us locally at www.dynapac.com

We reserve the right to change specifications without notice. Photos and illustrations do not always show standard versions of machines. The above information is a general description only, all information's are supplied without liability.



TECHNICAL DATA

DIMENSIONS

A. Wheelbase	169 in
B. Width	93 in
H1. Height, max.	132 in
H2. Height, transport	118 in
K. Ground clearance	9.8 in
L. Length	216 in
R. Turning radius, outside	356 in

STANDARD EQUIPMENT

- AWC, Battery switch, Back up alarm
- Back up camera, Cocoa mats
- Documentation (Manuals -one set)
- Drainage for water ballast, Emergency stop, Engine temperature display
- Fuel level display, Horn, Hour meter, Hydraulic checkpoints
- Hydraulic fluid temperature display
- Hydrostatic drive with 2 motors
- Interloc system, Key master and start
- Lifting and tiedown eyes
- Mirrors (traffic view)
- Multi-disc brakes for parking and dynamic service brake
- Parking brake, Rotating beacon
- Redundant brake system
- ROPS/FOPS (4 post with roof and 3" seat belt)
- Sliding and swiveling operator unit
- Steel ballast front (2,540 lbs) -CP2700 only
- Sprinkler and scraper system, Sprinkler pump (back up)
- Sprinkler timer, Tachometer display, Tilt steering wheel
- Vandal cover (Canopy or ROPS/FOPS), Water level gauge
- Water tank covers (lockable), Working lights (front/rear)
- Warning – Air cleaner, Warning – Brake
- Warning – Clogged hydraulic oil filter
- Warning – Engine oil pressure, Warning – Engine temperature
- Warning – Hydraulic fluid temperature, Warning – Low charge
- Warning – Low fuel level
- Voltage meter display. INCLUDED IN COMFORT CAB: Air conditioning (ACC)
- Air filtering system, Fan -fresh air (3-speed), Heater, Interior light
- Radio & MP3 player, Rear view mirrors (external), Rear view mirror (internal)
- Safety glass (tinted), Seat belt 3", Seat -luxury for cab with suspension
- Side windows (openable), Wiper with washer (front/rear)

OPTIONAL EQUIPMENT

- Steel ballast front (8,820 lb)
- Steel ballast front + rear (17,640 lb)
- Air On the Run system
- Asphalt temperature meter
- Biodegradable hydraulic fluid
- Canopy or ROPS/FOPS or Cab
- Driving lights (RH or LH)
- Dyn@link, Dyn@link advanced
- Fire extinguisher, First aid box
- Heat covers for wheels
- Licence plate holder with light
- Mirrors (process view)
- Slow Moving Vehicle sign
- Tool set, Towing eyelets front & rear

Find us locally at www.dynapac.com

We reserve the right to change specifications without notice. Photos and illustrations do not always show standard versions of machines. The above information is a general description only, all information's are supplied without liability.